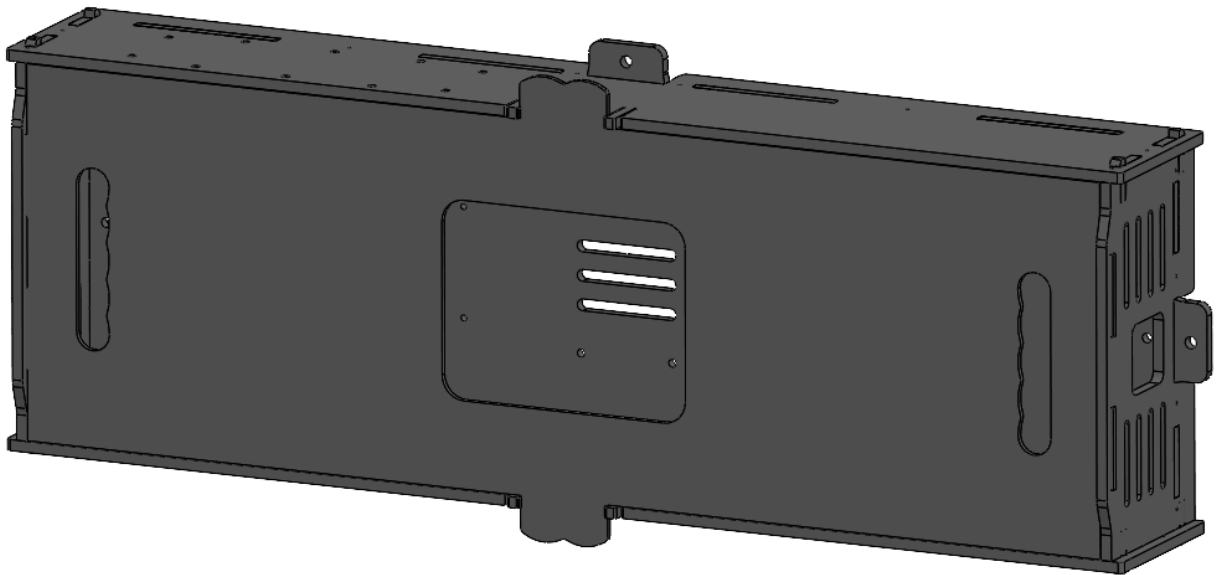


RACKIT – MONITRON ENCLOSURE



User Manual

SKU#: * AMZN-MONITRON-ENCL-US

* DAI-CJB-US

Initial Release: January 2023

Safety Instructions

- Read this user manual and the safety instructions carefully
- Keep this user manual for future reference
- This Monitron Enclosure may fall causing serious injury or death. Many injuries can be avoided by applying simple precautions:
 - This enclosure is to be mounted by professionals as recommended and using suitable mounting devices.
 - Never mount this enclosure on an unstable support.
 - This equipment is to be used only with prescribed equipment.
- Stop using this equipment and schedule an appointment to have it inspected by a service technician in the following situations:
 - The equipment has been dropped and damaged
 - The equipment shows obvious signs of breakage

Product Description

The Monitron Enclosure is a fully contained plastic enclosure to mount the AMZ Monitron Gateway along with its needed equipment (Thin Client, PoE injector, etc.). The Monitron Enclosure is a lightweight and heavy-duty enclosure that can be mounted on a variety of standard structural systems (strut mount on I-beam, columns, pipes, etc.). It has a low attenuation to Bluetooth and Wi-Fi signals and is well-ventilated for optimal cooling of equipment.

Product Improvements

Denali Advanced Integration has a policy to continuously improve its product design. All specifications and designs are subject to change without notice.

Features

- Stores suitable equipment for the operation of the AWZ Monitron Gateway.
- Lightweight and heavy-duty enclosure.
- Components can be easily configured prior to mounting or after mounting.
- Highly adaptable mounting capabilities to most structural supports (mounting equipment not included).
- Low attenuation to Bluetooth and Wi-Fi signals.
- Well ventilated for optimal heat transfer.

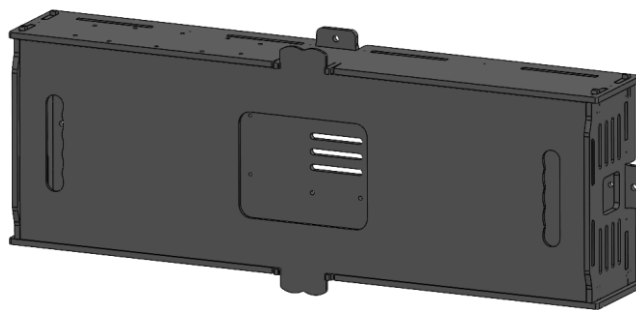


Figure 1. Monitron Enclosure as shipped (assembled option)

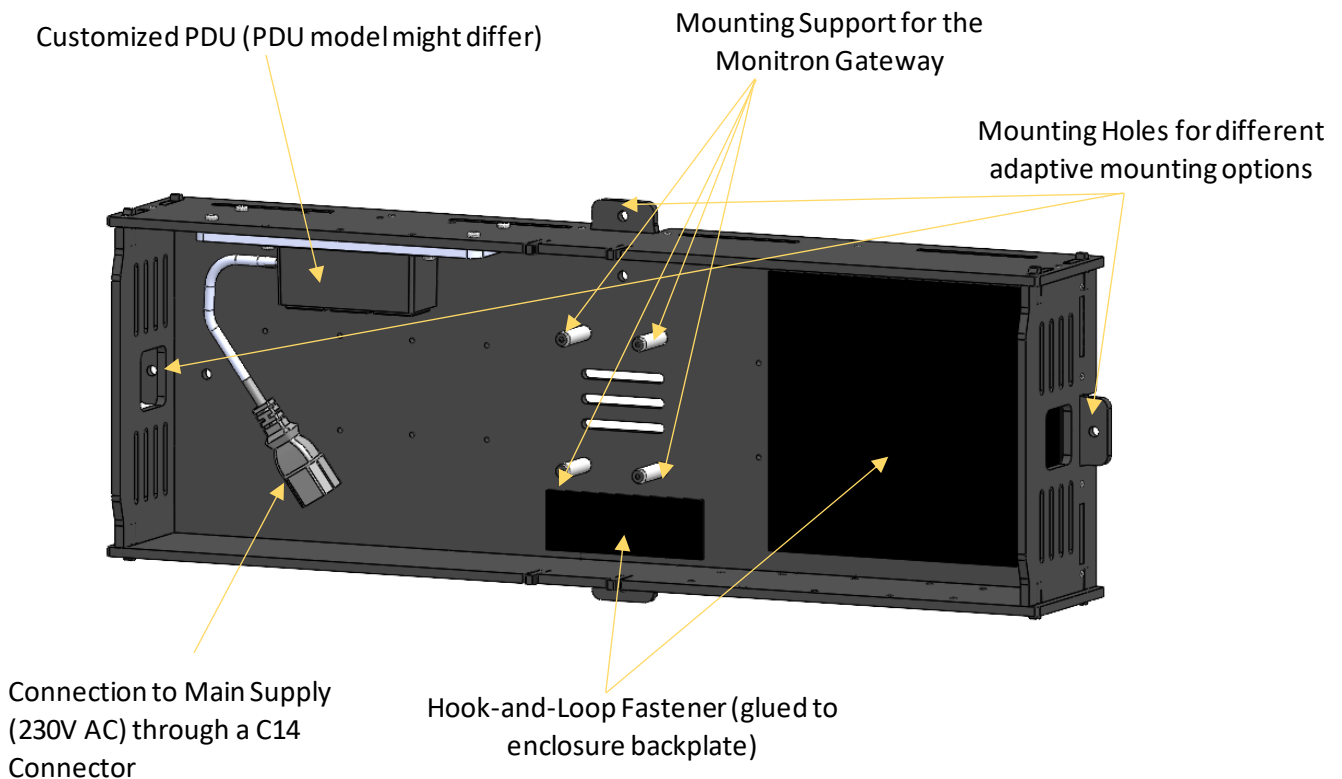


Figure 2. Monitron Enclosure as shipped (assembled option) [Cover removed for clarity]

Equipment Installation

Below are the steps for the installation of the equipment. The configuration and connection of the equipment is not part of this manual and should be undertaken by a professional person.



Note: Thin Client, PoE injector and Monitron Gateway are not provided with the Monitron Enclosure

1 Install the Thin Client & PoE Injector

Apply the previously cut hook-and-loop on the bottom sides of the thin client and the PoE injector. Make sure not to touch the adhesive side as hand moisture will lessen the adhesive power. Apply pressure to the thin client to ensure stability and bonding of the

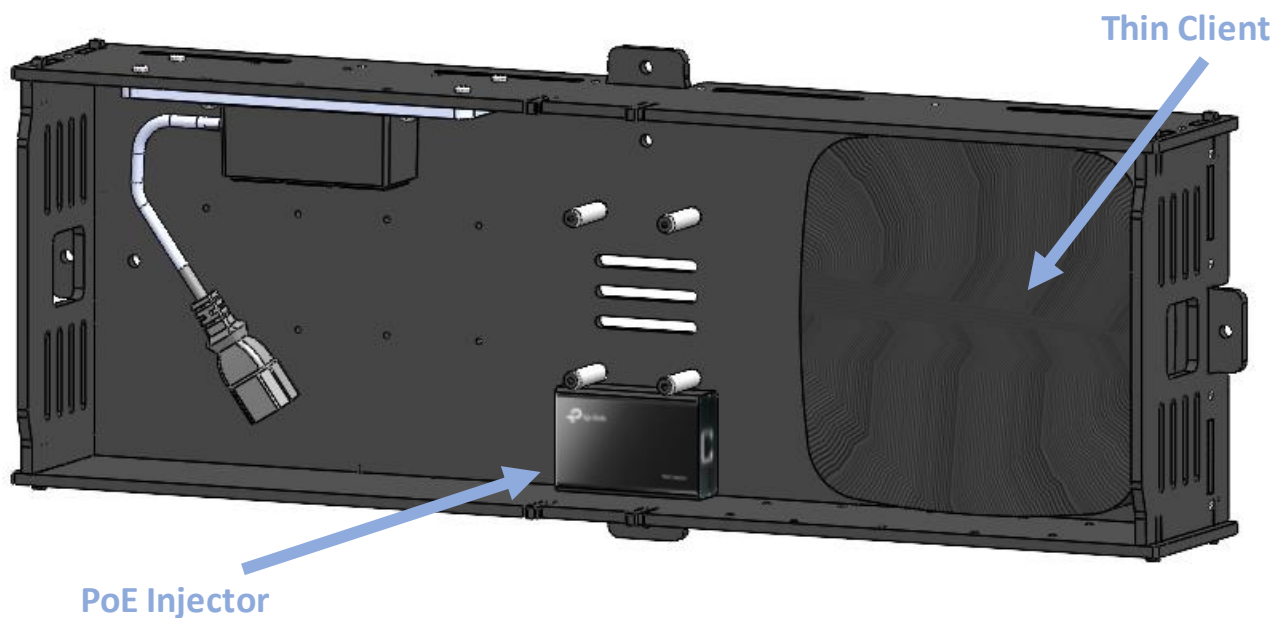


Figure 3. Recommended Location of Thin Client & PoE Injector

2 Install the Monitron Gateway

Remove the 4 flat head black screws from the white nylon spacers. Put the Monitron Gateway support plate on the white Nylon spacers and install back the 4 screws.

Note: a TORX screwdriver or wrench is needed for this operation.

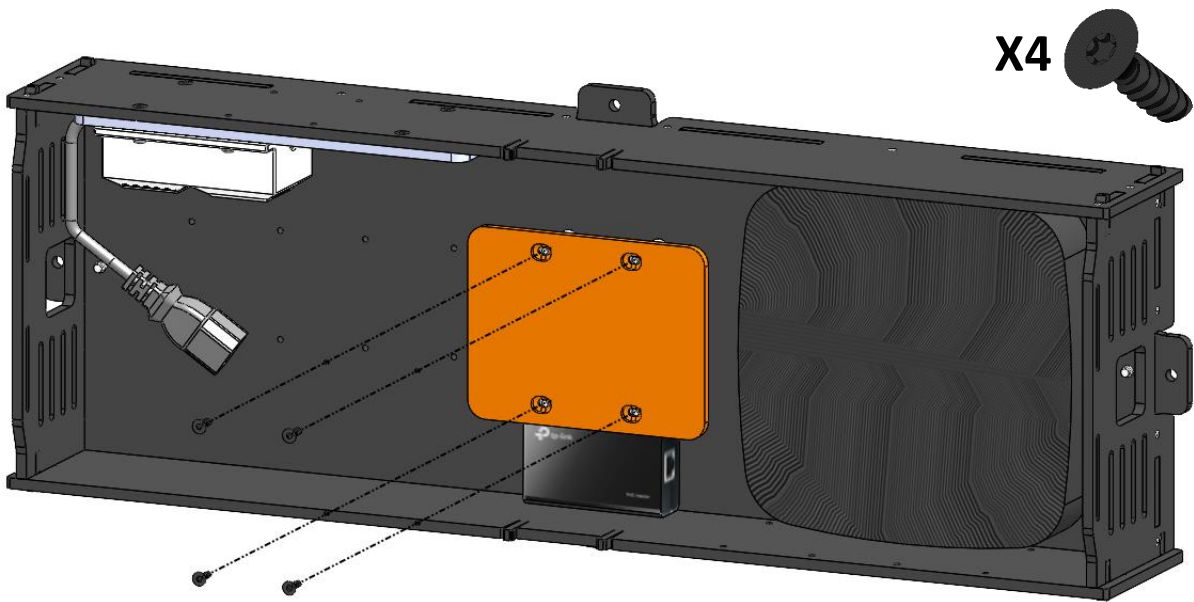


Figure 4. Install the Monitron Gateway Support Plate

Install the Monitron Gateway on the support. For ease of installation, while pressing the gateway on the support push each of the 4 pegs located under the support (Check below image)



Figure 5. Location of the pegs under the Monitron Gateway support (picture showing the rear of the gateway support facing the enclosure back plate)

3

Connect the Equipment as appropriate

Connect the equipment as appropriate and connect the PDU cable to a C13 plug.



Figure 6. Proposed connections and cables path

4

Install the Front Cover of the Monitron Enclosure

Follow the below steps in order to attach the front cover:

- Flex the front cover to insert the 4 end tabs (2 on the right and 2 on the left) in their appropriate openings.
- Press the front cover to fix it while snapping the top and bottom finger tabs on.

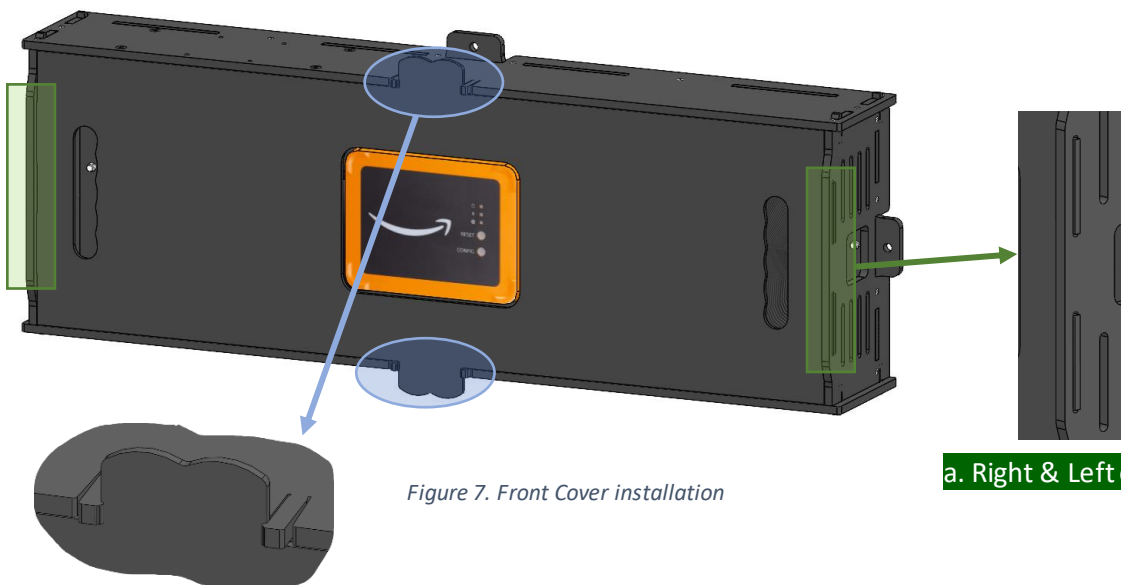


Figure 7. Front Cover installation

a. Right & Left end tabs

b. Top and bottom finger tabs

Mounting Options

The Monitron Enclosure can have many adaptive mounting options depending on mounting location and needed use.

Below are some proposed mounting options. The Monitron Enclosure should be mounted by professional persons since it may fall causing serious injury or death.



Note: Mounting fasteners, struts, clamps are not provided with the Monitron Enclosure.

Mounting Hardware:

The Monitron Enclosure is fitted with mounting holes (check Figure 8).

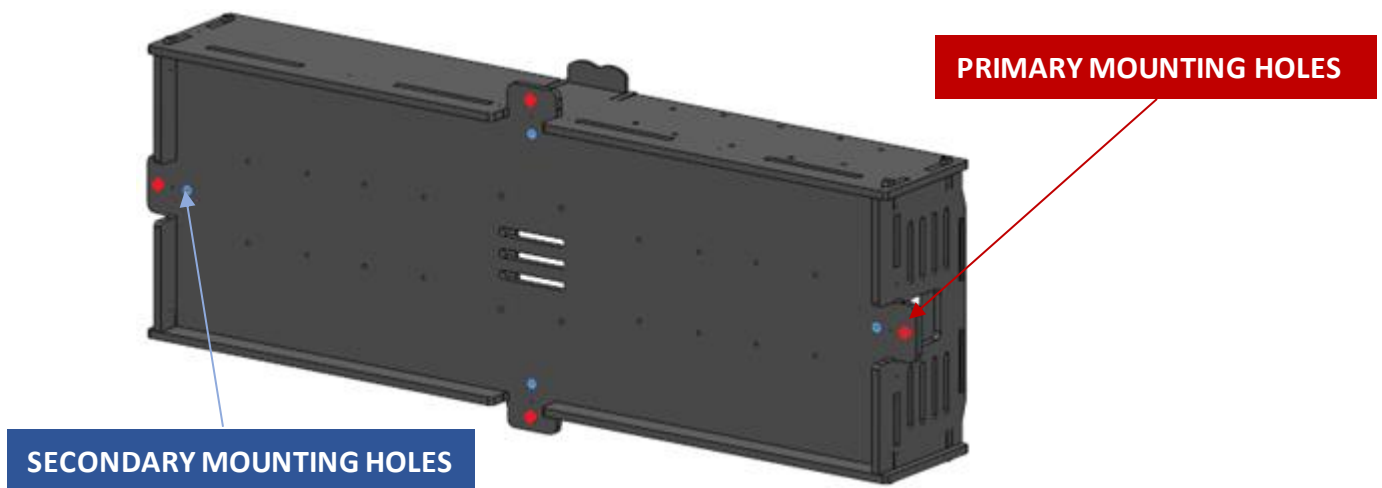


Figure 8. Mounting holes location

The primary mounting holes (in red color in Figure 8) should be used with the following mounting hardware (not provided):

- A. Steel screw size 1/4-20.
- B. Steel Washer size 1/4-20 (may be oversized for some applications).
- C. Steel nut size 1/4-20

The backplate is designed to fit a standard strut channel if needed (not provided).

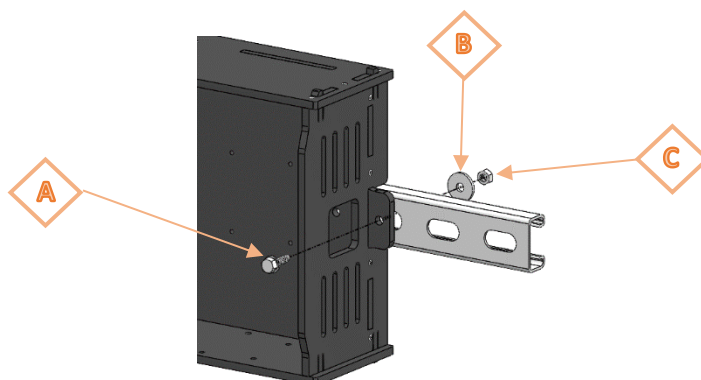


Figure 9. Part of the Monitron Enclosure showing mounting hardware proposition

Below you can find some mounting options.

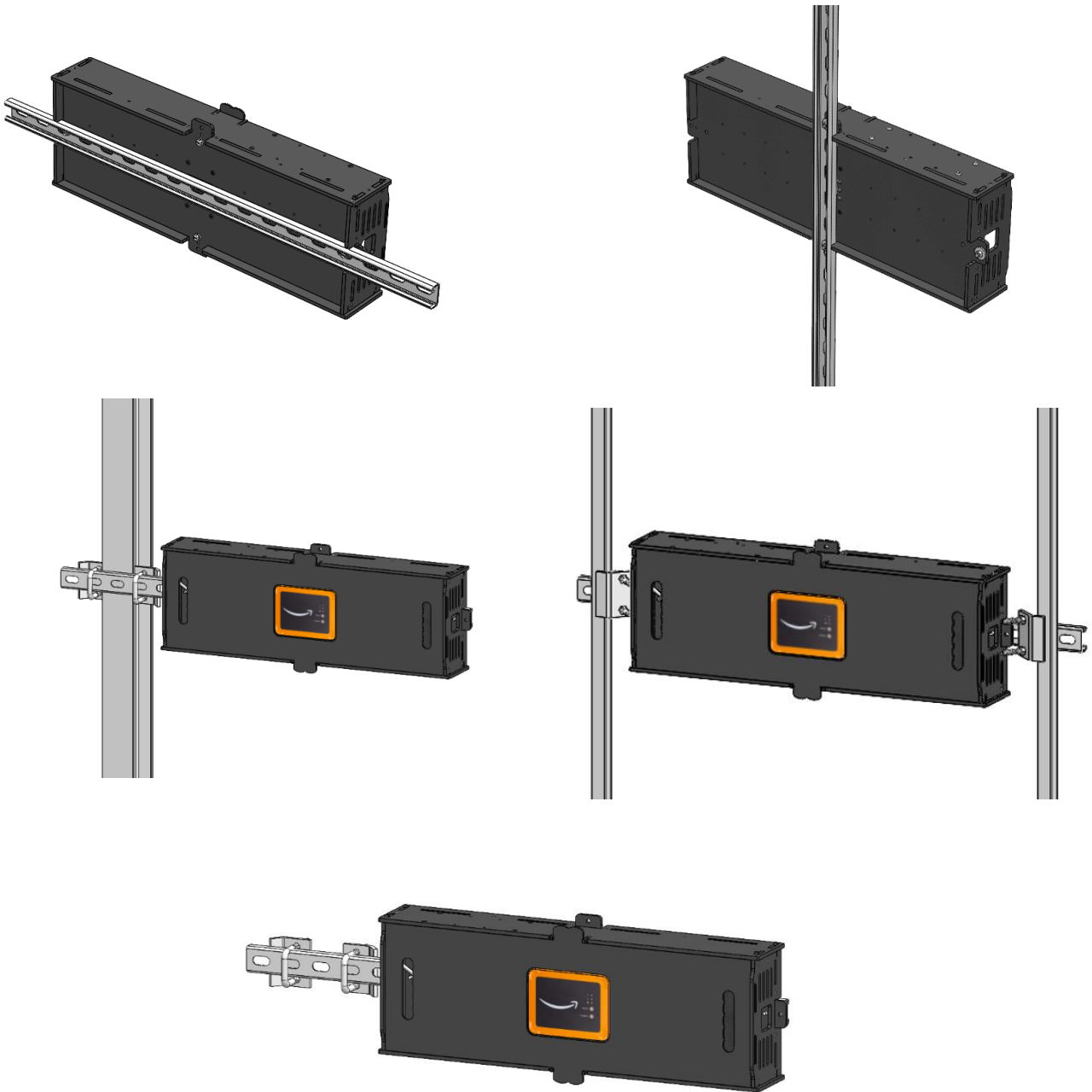


Figure 10. Monitron Enclosure mounting options

Technical Specifications

Dimensions (in) - Assembled	H 8.5" x W 26.5" x D 4"
Weight – Without Equipment	6 lbs
Operating Environment	Indoor use only
Operating temperature	30° to 95°F
Operating Humidity	10% to 95% (non-condensing)
Material – Enclosure Only	ABS Plastic

Warranty

This product is backed by a one-year limited warranty, if used in accordance with all applicable instructions, to be free from original defects in material for a period of 1 year from the date of initial purchase. If the product is proved defective in material within that period, Denali AI will repair or replace the product, in its sole discretion. Service under this warranty can only be obtained by delivering (or shipping) the product to: DENALI AI, 6911 Innovation Blvd, Fort Wayne, IN 46818, USA.

This warranty does not apply to normal wear or to damage resulting from accident, misuse, abuse, or neglect. This warranty excludes all incidental and consequential damages.

Limitation of Liability

In no event shall the liability of DENALI AI (or their officers, employees, or agents) for any damages (direct, indirect, incidental, consequential, or otherwise), loss of profits, loss of business, arising out of or related to the use of the product exceed the actual price for the product.